

K-12G



Socket (Coupling) Banded
Reducing Weld

K-12H



Half Socket (Half Coupling)
Weld O.D. Machined

K-12IN



Socket (Coupling) Weld Plain

K-12JN



Half Socket (Half Coupling)
Weld Plain

K-12K



Hexagon Socket (Coupling)
Plain

K-13



Hose Nipple Female

K-13A / K-013B



Union Conical Joint H/F
Union Flat Seat With PTFE
Gasket H/F

K-13C / K-13D



Union Conical Joint H/M
Union Flat Seat With PTFE
Gasket H/M

K-13E / K-13F



Union Conical Joint H/BW
Union Flat Seat With PTFE
Gasket H/BW

K-13G / K-13H



Union Conical Joint H/H
Union Flat Seat With PTFE
Gasket H/H

K-14 / K-14A



Union Elbow Conical Joint F/F
Union Elbow Flat Seat With
PTFE Gasket F/F

K-14B / K-14C



Union Elbow Conical Joint F/M
Union Elbow Flat Seat With
PTFE Gasket F/M

K-14D / K-14E



Union Elbow Conical Joint F/BW
Union Elbow Flat Seat With
PTFE Gasket F/BW

K-14F / K-14G



Union Elbow Conical Joint F/H
Union Elbow Flat Seat With
PTFE Gasket F/H

K-15



Double Compression Union

K-15A



Single Compression Union
Male Thread

K-15B



Elbow 90 Compression Union

K-15C



Tee Compression Union

K-16



Welding Spud

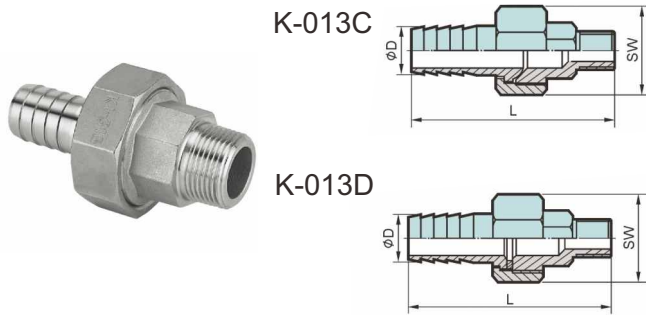
K-17



Adaptor M/F

K-13C Union Conical Joint H/M

K-13D Union Flat Seat With PTFE Gasket H/M

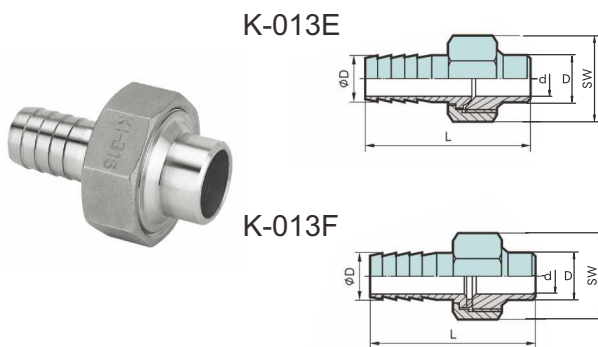


Unit: mm

SIZE	φD	L	SW
1/8"	6.5	52.9	25.0
1/4"	9.0	59.0	30.0
3/8"	11.0	67.5	35.0
1/2"	14.0	80.0	42.0
3/4"	20.5	85.7	47.0
1"	27.0	90.5	53.0
1-1/4"	33.0	103.5	71.0
1-1/2"	39.5	119.0	78.0
2"	52.0	130.0	92.0

K-13E Union Conical Joint H/BW

K-13F Union Flat Seat With PTFE Gasket H/BW

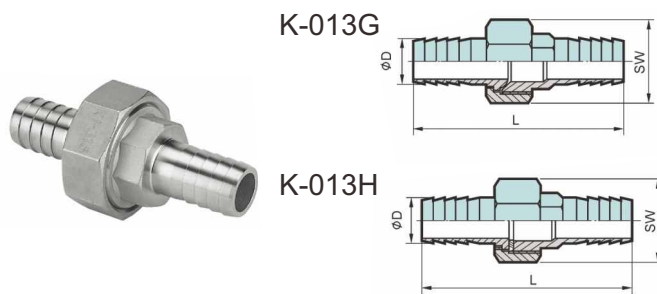


Unit: mm

SIZE	φD	L	SW	D	d
1/8"	6.5	41.0	25.0	10.2	8.1
1/4"	9.0	46.0	30.0	13.5	10.0
3/8"	11.0	54.5	35.0	17.2	12.7
1/2"	14.0	64.1	42.0	21.3	16.7
3/4"	20.5	70.0	47.0	26.9	21.5
1"	27.0	67.8	53.0	33.7	26.5
1-1/4"	33.0	81.8	71.0	42.4	35.8
1-1/2"	39.5	95.7	78.0	48.3	42.0
2"	52.0	105.4	92.0	60.3	53.3

K-13G Union Conical Joint H/H

K-13H Union Flat Seat With PTFE Gasket H/H

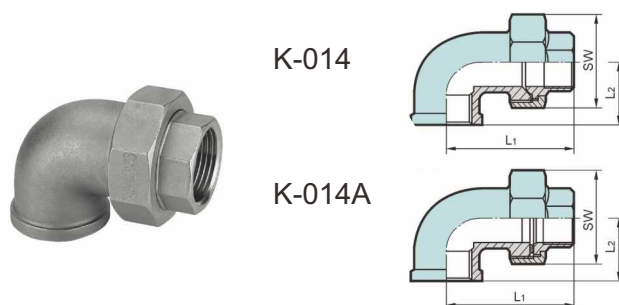


Unit: mm

SIZE	φD	L	SW
1/8"	6.5	60.7	25.0
1/4"	9.0	63.5	30.0
3/8"	11.0	82.5	35.0
1/2"	14.0	97.0	42.0
3/4"	20.5	99.7	47.0
1"	27.0	99.0	53.0
1-1/4"	33.0	118.0	71.0
1-1/2"	39.5	143.5	78.0
2"	52.0	156.0	92.0

K-14 Union Elbow Conical Joint F/F

K-14A Union Elbow Flat Seat With PTFE Gasket F/F

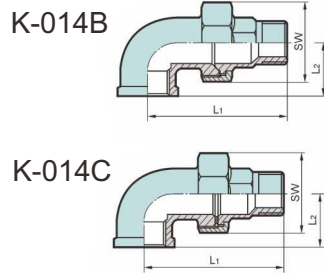


Unit: mm

SIZE	L ₁	L ₂	SW
1/8"	39.0	19.0	25.0
1/4"	46.2	21.0	30.0
3/8"	49.0	25.0	35.0
1/2"	56.0	28.0	42.0
3/4"	62.7	33.0	47.0
1"	68.0	38.0	53.0
1-1/4"	79.5	45.0	71.0
1-1/2"	88.0	50.0	78.0
2"	93.8	58.0	92.0

K-14B Union Elbow Conical Joint F/M

K-14C Union Elbow Flat Seat With PTFE Gasket F/M

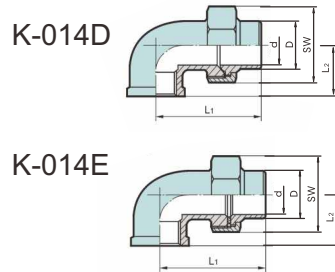


Unit: mm

SIZE	L ₁	L ₂	SW
1/8"	50.7	19.0	25.0
1/4"	58.6	21.0	30.0
3/8"	61.0	25.0	35.0
1/2"	71.0	28.0	42.0
3/4"	78.7	33.0	47.0
1"	88.4	38.0	53.0
1-1/4"	102.9	45.0	71.0
1-1/2"	110.3	50.0	78.0
2"	119.4	58.0	92.0

K-14D Union Elbow Conical Joint F/BW

K-14E Union Elbow Flat Seat With PTFE Gasket F/BW

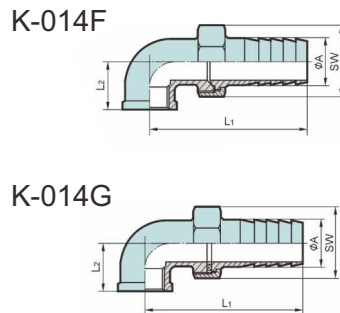


Unit: mm

SIZE	L ₁	L ₂	SW	D	d
1/8"	39.0	19.0	25.0	10.2	8.1
1/4"	46.2	21.0	30.0	13.5	10.0
3/8"	48.5	25.0	35.0	17.2	12.7
1/2"	54.6	28.0	42.0	21.3	16.7
3/4"	62.7	33.0	47.0	26.9	21.5
1"	68.0	38.0	53.0	33.7	26.5
1-1/4"	79.5	45.0	71.0	42.4	35.8
1-1/2"	88.0	50.0	78.0	48.3	42.0
2"	93.8	58.0	92.0	60.3	53.3

K-14F Union Elbow Conical Joint F/H

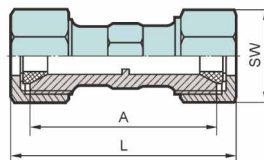
K-14G Union Elbow Flat Seat With PTFE Gasket F/H



Unit: mm

SIZE	L ₁	L ₂	φA	SW
1/8"	52.0	19.0	6.5	25.0
1/4"	56.0	21.0	9.0	30.0
3/8"	67.0	25.0	11.0	35.0
1/2"	77.5	28.0	14.0	42.0
3/4"	82.0	33.0	20.5	47.0
1"	88.0	38.0	27.0	53.0
1-1/4"	101.7	45.0	33.0	71.0
1-1/2"	119.5	50.0	39.5	78.0
2"	130.4	58.0	52.0	92.0

K-15 Double Compression Union



Unit: mm

SIZE (φD)		A	L	SW	
1/8"	12	1/4"	50.0	70.0	32.0
15	3/8"	18	50.0	70.0	36.0
20	1/2"	22	54.0	75.0	42.0
25	3/4"	28	62.0	80.0	50.0
30	1"	35	67.0	85.0	60.0
38.1	42	1-1/4"	70.0	85.0	69.0
44.5		1-1/2"	70.0	90.0	78.0
50.8		54.0	80.0	100.0	81.0
2"		63.5	80.0	100.0	92.0